



Technical Data

Wire sizes		Insulating Material	
Solid min	0.2 mm ²	Material	PA 6.6
Solid max	2.5 mm ²	Flammability Class	UL 94 V-0
Stranded (flexible) min	0.2 mm ²	Temperatures	
Stranded (flexible) max	2.5 mm ²	Operating Temperature (without mech. load)	-40 °C - 105 °C
Stranded with Ferrule min	0.25 mm ²	Store Temperature	-40 °C - 105 °C
Stranded with Ferrule max	2.5 mm ²	Wave Soldering Process	
Dimensions		Soldering Temperature, recommended	-
Stripped Length	12.0 mm	Peak Soldering Time, recommended	-
Materials		Reflow Process	
Contact Spring	Copper Alloy	Soldering Temperature, recommended	-
Clamp Spring	Stainless Steel	Peak Soldering Time, recommended	-

Colours

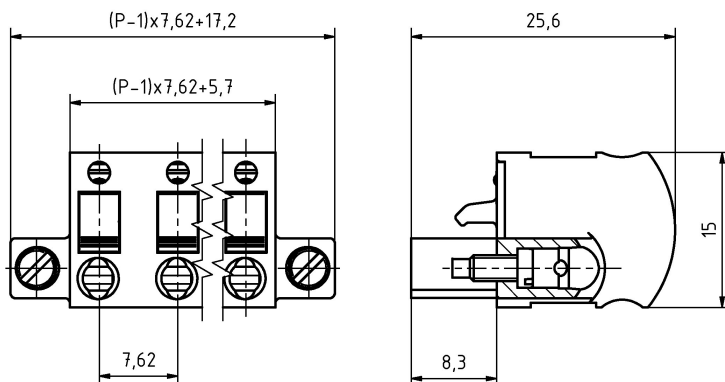
	BASALT GREY, RAL 7012
	GREEN, RAL 6018
	LIGHT GREEN, similar RAL 6018

Colours according to RAL, there may be variations on colour due to production conditions. Special colours on request.

Counterparts (Spacing 7.62 mm)

Pin Strip
STLZ965

In combination of connectors with different admission data, the lower value is valid.



Order Data (Spacing 7.62 mm)

Poles	Width (mm)	Article Designation	Article Number	PU
2	24.84	AKZ4961/2FKD-7.62-BASALTGREY	54961022421 D	50
3	32.46	AKZ4961/3FKD-7.62-BASALTGREY	54961032421 D	50
4	40.08	AKZ4961/4FKD-7.62-BASALTGREY	54961042421 D	50
5	47.70	AKZ4961/5FKD-7.62-BASALTGREY	54961052421 D	50
6	55.32	AKZ4961/6FKD-7.62-BASALTGREY	54961062421 D	50
7	62.94	AKZ4961/7FKD-7.62-BASALTGREY	54961072421 D	50
8	70.56	AKZ4961/8FKD-7.62-BASALTGREY	54961082421 D	50
9	78.18	AKZ4961/9FKD-7.62-BASALTGREY	54961092421 D	50
10	85.80	AKZ4961/10FKD-7.62-BASALTGREY	54961102421 D	50
11	93.42	AKZ4961/11FKD-7.62-BASALTGREY	54961112421 D	50
12	101.04	AKZ4961/12FKD-7.62-BASALTGREY	54961122421 D	50

Accessoires

Figure	Designation	Article Number
	Coding Star CS1-5.0/5.08-RED	Order Data: 50000000021

Ratings

UseGroup	cRU [*] US			VDE [*]	
	B	C	D		
Rated Voltage	300 V	-	300 V	400 V	
Rated Current	10 A	-	10 A	12 A	
Overtoltage Category				III	
Rated Wire Size			min		max
	- solid	AWG 26-12	-	AWG 26-12	0.2 mm ² 2.5 mm ²
	- stranded	AWG 26-12	-	AWG 26-12	0.2 mm ² 2.5 mm ²
Test Voltage	1.60 kV	-	1.60 kV	6.0 kV	
Pollution Degree				3	

* Approval Pending