

AKZ4951/..FKD-5.08-BASALTGREY



A Phoenix Mecano Brand

Technical Data

Wire sizes		Insulating Material	
Solid min	0.2 mm ²	Material	PA 6.6
Solid max	2.5 mm ²	Flammability Class	UL 94 V-0
Stranded (flexible) min	0.2mm ²	Temperatures	
Stranded (flexible) max	2.5 mm ²	Operating Temperature (without mech. load)	-40 °C - 105 °C
Stranded with Ferrule min	0.25 mm ²	Store Temperature	-40 °C - 105 °C
Stranded with Ferrule max	2.5 mm ²	Wave Soldering Process	
Dimensions		Soldering Temperature, recommended	-
Stripped Length	12.0 mm	Peak Soldering Time, recommended	-
Materials		Reflow Process	
Screw, Flange	Steel	Soldering Temperature, recommended	-
Contact Spring	Copper Alloy	Peak Soldering Time, recommended	-
Clamp Spring	Stainless Steel		

Colours

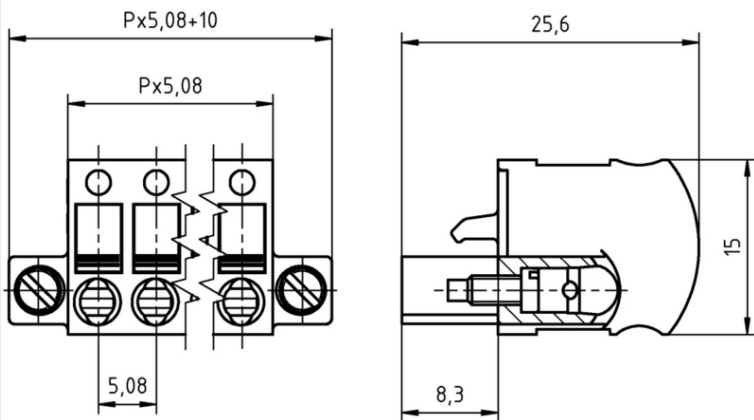
	BASALT GREY, RAL 7012
	GREEN, RAL 6018
	LIGHT GREEN, similar RAL 6018

Colours according to RAL, there may be variations on colour due to production conditions. Special colours on request.

Counterparts (Spacing 5.08 mm)

Pin Strip/Terminal Block			
STLZ950	STLZ950-HT	STLZ970	AKZ5950

In combination of connectors with different admission data, the lower value is valid.



Order Data (Spacing 5.08 mm)

Poles	Width (mm)	Article Designation	Article Number	PU
2	20.16	AKZ4951/2FKD-5.08-BASALTGREY	54951022421 D	50
3	25.24	AKZ4951/3FKD-5.08-BASALTGREY	54951032421 D	50
4	30.32	AKZ4951/4FKD-5.08-BASALTGREY	54951042421 D	50
5	35.40	AKZ4951/5FKD-5.08-BASALTGREY	54951052421 D	50
6	40.48	AKZ4951/6FKD-5.08-BASALTGREY	54951062421 D	50
7	45.56	AKZ4951/7FKD-5.08-BASALTGREY	54951072421 D	50
8	50.64	AKZ4951/8FKD-5.08-BASALTGREY	54951082421 D	50
9	55.72	AKZ4951/9FKD-5.08-BASALTGREY	54951092421 D	50
10	60.80	AKZ4951/10FKD-5.08-BASALTGREY	54951102421 D	50
11	65.88	AKZ4951/11FKD-5.08-BASALTGREY	54951112421 D	50
12	70.96	AKZ4951/12FKD-5.08-BASALTGREY	54951122421 D	50
13	76.04	AKZ4951/13FKD-5.08-BASALTGREY	54951132421 D	50
14	81.12	AKZ4951/14FKD-5.08-BASALTGREY	54951142421 D	50
15	86.20	AKZ4951/15FKD-5.08-BASALTGREY	54951152421 D	50
16	91.28	AKZ4951/16FKD-5.08-BASALTGREY	54951162421 D	50
17	96.36	AKZ4951/17FKD-5.08-BASALTGREY	54951172421 D	50
18	101.44	AKZ4951/18FKD-5.08-BASALTGREY	54951182421 D	50
19	106.52	AKZ4951/19FKD-5.08-BASALTGREY	54951192421 D	50
20	111.60	AKZ4951/20FKD-5.08-BASALTGREY	54951202421 D	50
21	116.68	AKZ4951/21FKD-5.08-BASALTGREY	54951212421 D	50
22	121.76	AKZ4951/22FKD-5.08-BASALTGREY	54951222421 D	50
23	126.84	AKZ4951/23FKD-5.08-BASALTGREY	54951232421 D	50
24	131.92	AKZ4951/24FKD-5.08-BASALTGREY	54951242421 D	50

Accessoires

Figure	Designation	Article Number
	Coding Star CS1-5.0/5.08-RED	Order Data: 50000000021
	Series AK(Z)4951 with pull relief	Order Data: on request

Ratings

UseGroup	C US				
	B	C	D		
Rated Voltage	300 V	-	300 V	250 V	
Rated Current	10 A	-	10 A	12 A	
Overvoltage Category				III	
Rated Wire Size			min		max
	- solid	AWG 26-12	-	AWG 26-12	0.2 mm ² 2.5 mm ² (12 A)
	- stranded	AWG 26-12	-	AWG 26-12	0.2 mm ² 2.5 mm ² (12 A)
Test Voltage	1.60 kV	-	1.60 kV	4.0 kV	
Pollution Degree				3	