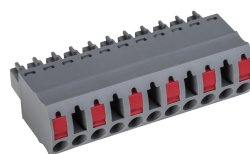


AKZ4561/..KD-7.62-BASALTGREY



A Phoenix Mecano Brand

Technical Data

Wire sizes		Insulating Material	
Solid min	0.14 mm ²	Material	PA 6.6
Solid max	2.5 mm ²	Flammability Class	UL 94 V-0
Stranded (flexible) min	0.14mm ²	Temperatures	
Stranded (flexible) max	1.5 mm ²	Operating Temperature (without mech. load)	-40 °C - 105 °C
Stranded with Ferrule min	0.25 mm ²	Store Temperature	-40 °C - 105 °C
Stranded with Ferrule max	1.0 mm ²	Wave Soldering Process	
Dimensions		Soldering Temperature, recommended	-
Materials		Peak Soldering Time, recommended	-
Contact Spring	Copper Alloy	Reflow Process	
Clamp Spring	Stainless Steel	Soldering Temperature, recommended	-
		Peak Soldering Time, recommended	-

Colours

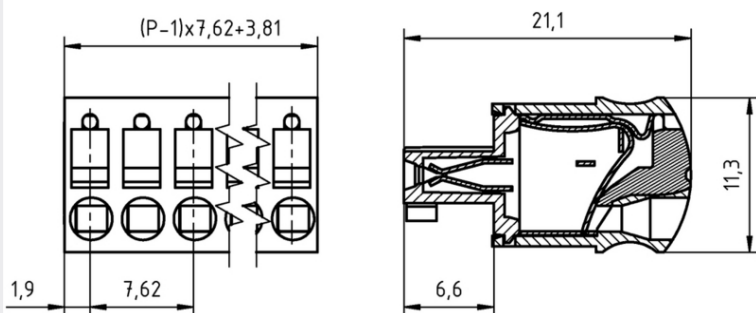
	BASALT GREY, RAL 7012
	GREEN, RAL 6018
	LIGHT GREEN, similar RAL 6018

Colours according to RAL, there may be variations on colour due to production conditions. Special colours on request.

Counterparts (Spacing 7.62 mm)

Pin Strip		
STLZ1550	STLZ1570	STLZ1590

In combination of connectors with different admission data, the lower value is valid.



Order Data (Spacing 7.62 mm)

Poles	Width (mm)	Article Designation	Article Number	PU
2	11.43	AKZ4561/2KD-7.62-BASALTGREY	54561020461 F	200
3	19.05	AKZ4561/3KD-7.62-BASALTGREY	54561030461 F	200
4	26.67	AKZ4561/4KD-7.62-BASALTGREY	54561040461 E	100
5	34.29	AKZ4561/5KD-7.62-BASALTGREY	54561050461 D	50
6	41.91	AKZ4561/6KD-7.62-BASALTGREY	54561060461 D	50
7	49.53	AKZ4561/7KD-7.62-BASALTGREY	54561070461 D	50
8	57.15	AKZ4561/8KD-7.62-BASALTGREY	54561080461 D	50
9	64.77	AKZ4561/9KD-7.62-BASALTGREY	54561090461 D	50
10	72.39	AKZ4561/10KD-7.62-BASALTGREY	54561100461 D	50

Accessoires

Figure	Designation	Article Number
	Series AK(Z)4561 with pull relief	Order Data: on request

Ratings

UseGroup	C ^{RU} US			VDE	
	B	C	D		
Rated Voltage	300 V	-	300 V	500 V	
Rated Current	10 A	-	-	10 A	
Overvoltage Category				III	
Rated Wire Size			min		max
- solid	AWG 26-16	-	AWG 26-16	0.14 mm ² (3 A)	2.5 mm ² (10 A)
- stranded	AWG 26-16	-	AWG 26-16	0.14 mm ² (3 A)	1.5 mm ² (10 A)
Test Voltage	1.60 kV	-	1.60 kV	6.0 kV	
Pollution Degree				3	