

# AK4951/..KD-5.0-BASALTGREY



A Phoenix Mecano Brand

## Technical Data

Wire sizes		Insulating Material	
Solid min	0.2 mm <sup>2</sup>	Material	PA 6.6
Solid max	2.5 mm <sup>2</sup>	Flammability Class	UL 94 V-0
Stranded (flexible) min	0.2 mm <sup>2</sup>	<b>Temperatures</b>	
Stranded (flexible) max	2.5 mm <sup>2</sup>	Operating Temperature (without mech. load)	-40 °C - 105 °C
Stranded with Ferrule min	0.25 mm <sup>2</sup>	Store Temperature	-40 °C - 105 °C
Stranded with Ferrule max	2.5 mm <sup>2</sup>	<b>Wave Soldering Process</b>	
<b>Dimensions</b>		Soldering Temperature, recommended	-
Stripped Length	12.0 mm	Peak Soldering Time, recommended	-
<b>Materials</b>		<b>Reflow Process</b>	
Contact Spring	Copper Alloy	Soldering Temperature, recommended	-
Clamp Spring	Stainless Steel	Peak Soldering Time, recommended	-

## Colours

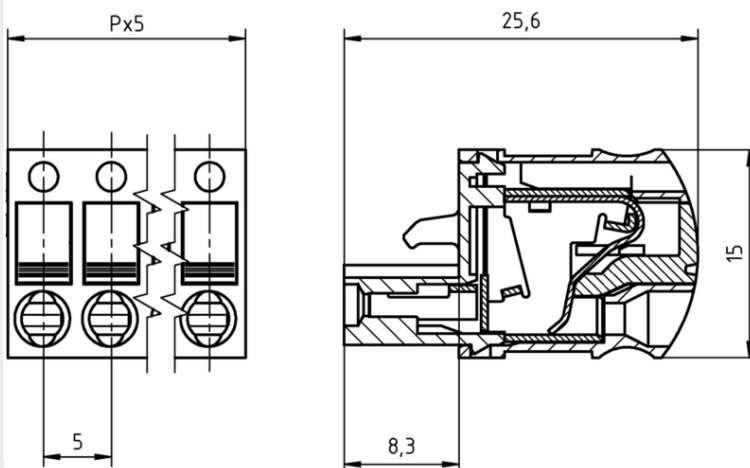
	BASALT GREY, RAL 7012
	GREEN, RAL 6018
	LIGHT GREEN, similar RAL 6018

Colours according to RAL, there may be variations on colour due to production conditions. Special colours on request.

## Counterparts (Spacing 5.0 mm)

Pin Strip				
STL950	STL950-HT	STL950-G-HT	STL955	STL975

In combination of connectors with different admission data, the lower value is valid.



## Order Data (Spacing 5.0 mm)

Poles	Width (mm)	Article Designation	Article Number	PU
2	10.00	AK4951/2KD-5.0-BASALTGREY	54951020401 D	50
3	15.00	AK4951/3KD-5.0-BASALTGREY	54951030401 D	50
4	20.00	AK4951/4KD-5.0-BASALTGREY	54951040401 D	50
5	25.00	AK4951/5KD-5.0-BASALTGREY	54951050401 D	50
6	30.00	AK4951/6KD-5.0-BASALTGREY	54951060401 D	50
7	35.00	AK4951/7KD-5.0-BASALTGREY	54951070401 D	50
8	40.00	AK4951/8KD-5.0-BASALTGREY	54951080401 D	50
9	45.00	AK4951/9KD-5.0-BASALTGREY	54951090401 D	50
10	50.00	AK4951/10KD-5.0-BASALTGREY	54951100401 D	50
11	55.00	AK4951/11KD-5.0-BASALTGREY	54951110401 D	50
12	60.00	AK4951/12KD-5.0-BASALTGREY	54951120401 D	50
13	65.00	AK4951/13KD-5.0-BASALTGREY	54951130401 D	50
14	70.00	AK4951/14KD-5.0-BASALTGREY	54951140401 D	50
15	75.00	AK4951/15KD-5.0-BASALTGREY	54951150401 D	50
16	80.00	AK4951/16KD-5.0-BASALTGREY	54951160401 D	50
17	85.00	AK4951/17KD-5.0-BASALTGREY	54951170401 D	50
18	90.00	AK4951/18KD-5.0-BASALTGREY	54951180401 D	50
19	95.00	AK4951/19KD-5.0-BASALTGREY	54951190401 D	50
20	100.00	AK4951/20KD-5.0-BASALTGREY	54951200401 D	50
21	105.00	AK4951/21KD-5.0-BASALTGREY	54951210401 D	50
22	110.00	AK4951/22KD-5.0-BASALTGREY	54951220401 D	50
23	115.00	AK4951/23KD-5.0-BASALTGREY	54951230401 D	50
24	120.00	AK4951/24KD-5.0-BASALTGREY	54951240401 D	50

## Accessoires

Figure	Designation	Article Number
	Coding Star CS1-5.0/5.08-RED	Order Data: 50000000021
	Series AK(Z)4951 with pull relief	Order Data: on request

## Ratings

UseGroup	cRU <sup>®</sup> US			VDE	
	B	C	D		
Rated Voltage	300 V	-	300 V	250 V	
Rated Current	10 A	-	10 A	12 A	
Overvoltage Category				III	
Rated Wire Size			min		max
	- solid	AWG 26-12	-	AWG 26-12	0.2 mm <sup>2</sup> 2.5 mm <sup>2</sup> (12 A)
	- stranded	AWG 26-12	-	AWG 26-12	0.2 mm <sup>2</sup> 2.5 mm <sup>2</sup> (12 A)
Test Voltage	1.60 kV	-	1.60 kV	4.0 kV	
Pollution Degree				3	