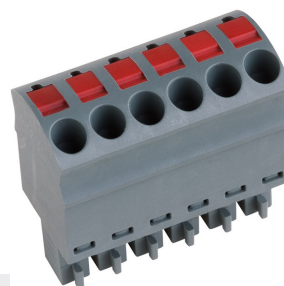


AK4561/..KD-3.5-BASALTGREY



A Phoenix Mecano Brand



Technical Data

Wire sizes		Insulating Material	
Solid min	0.14 mm ²	Material	PA 6.6
Solid max	2.5 mm ²	Flammability Class	UL 94 V-0
Stranded (flexible) min	0.14mm ²	Temperatures	
Stranded (flexible) max	1.5 mm ²	Operating Temperature (without mech. load)	-40 °C - 105 °C
Stranded with Ferrule min	0.25 mm ²	Store Temperature	-40 °C - 105 °C
Stranded with Ferrule max	1.0 mm ²	Wave Soldering Process	
Dimensions		Soldering Temperature, recommended	-
Stripped Length	11.0 mm	Peak Soldering Time, recommended	-
Materials		Reflow Process	
Contact Spring	Copper Alloy	Soldering Temperature, recommended	-
Clamp Spring	Stainless Steel	Peak Soldering Time, recommended	-

Colours

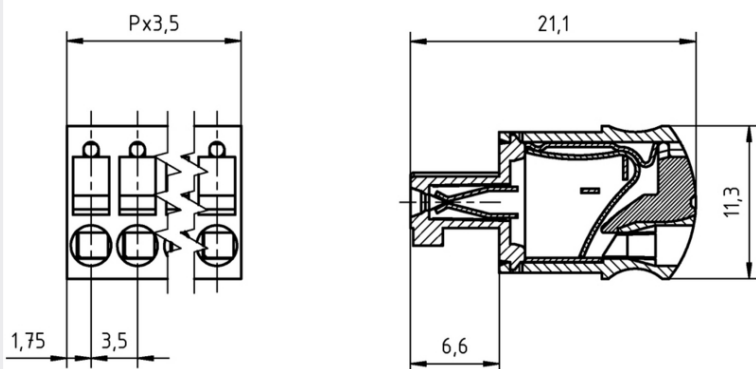
	BASALT GREY, RAL 7012
	GREEN, RAL 6018
	LIGHT GREEN, similar RAL 6018

Colours according to RAL, there may be variations on colour due to production conditions. Special colours on request.

Counterparts (Spacing 3.5 mm)

Pin Strip
STL1550

In combination of connectors with different admission data, the lower value is valid.



Order Data (Spacing 3.5 mm)

Poles	Width (mm)	Article Designation	Article Number	PU
2	7.00	AK4561/2KD-3.5-BASALTGREY	54561020401 F	200
3	10.50	AK4561/3KD-3.5-BASALTGREY	54561030401 F	200
4	14.00	AK4561/4KD-3.5-BASALTGREY	54561040401 F	200
5	17.50	AK4561/5KD-3.5-BASALTGREY	54561050401 F	200
6	21.00	AK4561/6KD-3.5-BASALTGREY	54561060401 E	100
7	24.50	AK4561/7KD-3.5-BASALTGREY	54561070401 E	100
8	28.00	AK4561/8KD-3.5-BASALTGREY	54561080401 D	50
9	31.50	AK4561/9KD-3.5-BASALTGREY	54561090401 D	50
10	35.00	AK4561/10KD-3.5-BASALTGREY	54561100401 D	50
11	38.50	AK4561/11KD-3.5-BASALTGREY	54561110401 D	50
12	42.00	AK4561/12KD-3.5-BASALTGREY	54561120401 D	50
13	45.50	AK4561/13KD-3.5-BASALTGREY	54561130401 D	50
14	49.00	AK4561/14KD-3.5-BASALTGREY	54561140401 D	50
15	52.50	AK4561/15KD-3.5-BASALTGREY	54561150401 D	50
16	56.00	AK4561/16KD-3.5-BASALTGREY	54561160401 D	50
17	59.50	AK4561/17KD-3.5-BASALTGREY	54561170401 D	50
18	63.00	AK4561/18KD-3.5-BASALTGREY	54561180401 D	50
19	66.50	AK4561/19KD-3.5-BASALTGREY	54561190401 D	50
20	70.00	AK4561/20KD-3.5-BASALTGREY	54561200401 D	50

Accessoires

Figure	Designation	Article Number
	Series AK(Z)4561 with pull relief	Order Data: on request

Ratings

UseGroup	cRU [®] US			VDE		
	B	C	D			
Rated Voltage	300 V	-	300 V	160 V		
Rated Current	10 A	-	10 A	10 A		
Overtoltage Category				III		
Rated Wire Size	min					max
	- solid	AWG 26-16	-	AWG 26-16	0.14 mm ² (3 A)	2.5 mm ² (10 A)
	- stranded	AWG 26-16	-	AWG 26-16	0.14 mm ² (3 A)	1.5 mm ² (10 A)
Test Voltage	1.60 kV	-	1.60 kV	2.5 kV		
Pollution Degree				3		