

# AK3950/..-10.0-GREEN



A Phoenix Mecano Brand

## Technical Data

Wire sizes		Insulating Material	
Solid min	0.08 mm <sup>2</sup>	Material	PA 6.6
Solid max	2.5 mm <sup>2</sup>	Flammability Class	UL 94 V-0
Stranded (flexible) min	0.08mm <sup>2</sup>	<b>Temperatures</b>	
Stranded (flexible) max	2.5 mm <sup>2</sup>	Operating Temperature (without mech. load)	-40 °C - 105 °C
Stranded with Ferrule min	0.14 mm <sup>2</sup>	Store Temperature	-40 °C - 105 °C
Stranded with Ferrule max	1.5 mm <sup>2</sup>	<b>Wave Soldering Process</b>	
<b>Dimensions</b>		Soldering Temperature, recommended	-
Stripped Length	8.5 mm	Peak Soldering Time, recommended	-
<b>Materials</b>		<b>Reflow Process</b>	
Contact Spring	Copper Alloy	Soldering Temperature, recommended	-
Tension Spring	Stainless Steel	Peak Soldering Time, recommended	-

## Colours

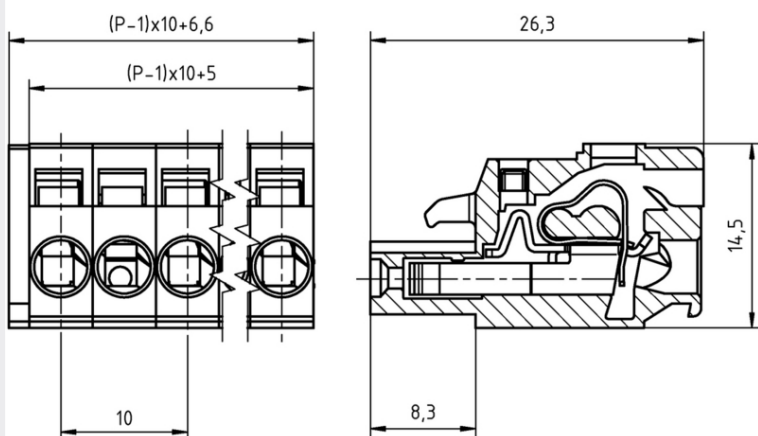
	GREEN, RAL 6018
	PEBBLE GREY, RAL 7032

Colours according to RAL, there may be variations on colour due to production conditions. Special colours on request.

## Counterparts (Spacing 10.0 mm)

Pin Strip	
STL950	STL975

In combination of connectors with different admission data, the lower value is valid.



## Order Data (Spacing 10.0 mm)

Poles	Width (mm)	Article Designation	Article Number	PU
2	16.60	AK3950/2-10.0-GREEN	53950020041 D	50
3	26.60	AK3950/3-10.0-GREEN	53950030041 D	50
4	36.60	AK3950/4-10.0-GREEN	53950040041 D	50
5	46.60	AK3950/5-10.0-GREEN	53950050041 D	50
6	56.60	AK3950/6-10.0-GREEN	53950060041 D	50
7	66.60	AK3950/7-10.0-GREEN	53950070041 D	50
8	76.60	AK3950/8-10.0-GREEN	53950080041 D	50
9	86.60	AK3950/9-10.0-GREEN	53950090041 D	50
10	96.60	AK3950/10-10.0-GREEN	53950100041 D	50
11	106.60	AK3950/11-10.0-GREEN	53950110041 D	50
12	116.60	AK3950/12-10.0-GREEN	53950120041 D	50

## Accessoires

Figure	Designation	Article Number
	Coding Star CS1-5.0/5.08-RED	Order Data: 50000000021

## Ratings

UseGroup	cRU <sup>®</sup> US			VDE	
	B	C	D		
Rated Voltage	300 V	150 V	300 V	630 V	
Rated Current	8 A	8 A	-	12 A	
Overvoltage Category				III	
Rated Wire Size			min		max
- solid	AWG 28-12	AWG 28-12	AWG 28-12	0.5 mm <sup>2</sup> (5 A)	2.5 mm <sup>2</sup> (12 A)
- stranded	AWG 28-12	AWG 28-12	AWG 28-12	0.5 mm <sup>2</sup> (5 A)	2.5 mm <sup>2</sup> (12 A)
Test Voltage	1.60 kV	1.30 kV	1.60 kV	8.0 kV	
Pollution Degree				3	