

# STLZ990/..G-10.16-GREEN



A Phoenix Mecano Brand

## Technical Data

Wire sizes		Insulating Material	
Solid min	-	Material	PA 6.6
Solid max	-	Flammability Class	UL 94 V-0
Stranded (flexible) min	-	<b>Temperatures</b>	
Stranded (flexible) max	-	Operating Temperature (without mech. load)	-40 °C - 105 °C
Stranded with Ferrule min	-	Store Temperature	-40 °C - 105 °C
Stranded with Ferrule max	-	<b>Wave Soldering Process</b>	
<b>Dimensions</b>		Soldering Temperature, recommended	260 °C
PCB Hole Diameter	1.4 mm	Peak Soldering Time, recommended	3-4 s
<b>Materials</b>		<b>Reflow Process</b>	
Contact Pin	Copper Alloy	Soldering Temperature, recommended	-
		Peak Soldering Time, recommended	-

## Colours

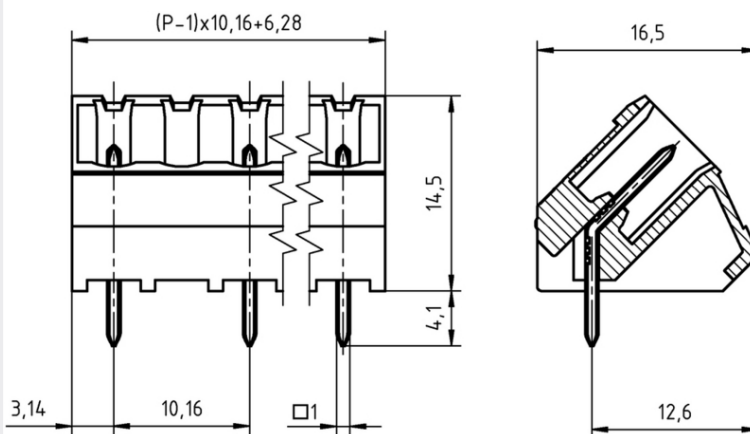
	GREEN, RAL 6018
	LIGHT GREEN, similar RAL 6018

Colours according to RAL, there may be variations on colour due to production conditions. Special colours on request.

## Counterparts (Spacing 10.16 mm)

Terminal Block			
AKZ950	AKZ1100	AKZ1110	AKZ1200

In combination of connectors with different admission data, the lower value is valid.



## Order Data (Spacing 10.16 mm)

Poles	Width (mm)	Article Designation	Article Number	PU
2	16.44	STLZ990/2G-10.16-GREEN	50990025161 F	200
3	26.60	STLZ990/3G-10.16-GREEN	50990035161 E	100
4	36.76	STLZ990/4G-10.16-GREEN	50990045161 E	100
5	46.92	STLZ990/5G-10.16-GREEN	50990055161 D	50
6	57.08	STLZ990/6G-10.16-GREEN	50990065161 D	50
7	67.24	STLZ990/7G-10.16-GREEN	50990075161 D	50
8	77.40	STLZ990/8G-10.16-GREEN	50990085161 D	50
9	87.56	STLZ990/9G-10.16-GREEN	50990095161 D	50
10	97.72	STLZ990/10G-10.16-GREEN	50990105161 D	50
11	107.88	STLZ990/11G-10.16-GREEN	50990115161 D	50
12	118.04	STLZ990/12G-10.16-GREEN	50990125161 D	50

## Accessoires

Figure	Designation	Article Number
	Coding Star CS2-5.0/5.08-RED	Order Data: 50000000024
	Separating Element SE-STL950-GREEN	Order Data: 50950000002

## Ratings

UseGroup	C			
	B	C	D	
Rated Voltage	300 V	150 V	300 V	630 V
Rated Current	15 A	15 A	-	12 A
Overvoltage Category				III
Test Voltage	1.60 kV	1.30 kV	1.60 kV	6.0 kV
Pollution Degree				3