

# STLZ970/..G-5.08-V-GREEN



A Phoenix Mecano Brand

## Technical Data

Wire sizes		Insulating Material	
Solid min	-	Material	PBT
Solid max	-	Flammability Class	UL 94 V-0
Stranded (flexible) min	-	<b>Temperatures</b>	
Stranded (flexible) max	-	Operating Temperature (without mech. load)	-40 °C - 105 °C
Stranded with Ferrule min	-	Store Temperature	-40 °C - 105 °C
Stranded with Ferrule max	-	<b>Wave Soldering Process</b>	
<b>Dimensions</b>		Soldering Temperature, recommended	260 °C
PCB Hole Diameter	1.4 mm	Peak Soldering Time, recommended	3-4 s
<b>Materials</b>		<b>Reflow Process</b>	
Contact Pin	Copper Alloy	Soldering Temperature, recommended	-
		Peak Soldering Time, recommended	-

## Colours

	GREEN, RAL 6018
	PEBBLE GREY, RAL 7032
	LIGHT GREEN, similar RAL 6018

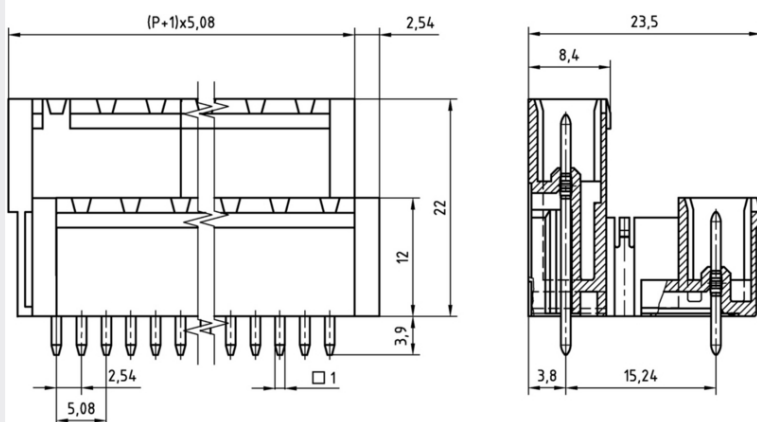
Colours according to RAL, there may be variations on colour due to production conditions. Special colours on request.

## Counterparts (Spacing 5.08 mm)

Pin Strip/Terminal Block

STLZ950-INV	AKZ950	AKZ955	AKZ1100	AKZ1110	AKZ1200	AKZ4951
-------------	--------	--------	---------	---------	---------	---------

In combination of connectors with different admission data, the lower value is valid.



## Order Data (Spacing 5.08 mm)

Poles	Width (mm)	Article Designation	Article Number	PU
2	17.78	STLZ970/2G-5.08-V-GREEN	50970025121 E	100
3	22.86	STLZ970/3G-5.08-V-GREEN	50970035121 E	100
4	27.94	STLZ970/4G-5.08-V-GREEN	50970045121 E	100
5	33.02	STLZ970/5G-5.08-V-GREEN	50970055121 D	50
6	38.10	STLZ970/6G-5.08-V-GREEN	50970065121 D	50
7	43.18	STLZ970/7G-5.08-V-GREEN	50970075121 D	50
8	48.26	STLZ970/8G-5.08-V-GREEN	50970085121 D	50
9	53.34	STLZ970/9G-5.08-V-GREEN	50970095121 D	50
10	58.42	STLZ970/10G-5.08-V-GREEN	50970105121 D	50
11	63.50	STLZ970/11G-5.08-V-GREEN	50970115121 D	50
12	68.58	STLZ970/12G-5.08-V-GREEN	50970125121 D	50

## Accessoires

Figure	Designation	Article Number
	Coding Star CS2-5.0/5.08-RED	Order Data: 50000000024
	Separating Element SE-STL950-GREEN	Order Data: 50950000002

## Ratings



UseGroup	B	C	D	
Rated Voltage	300 V	150 V	300 V	250 V
Rated Current	15 A	15 A	10 A	12 A
Overvoltage Category				III
Test Voltage	1.60 kV	1.30 kV	1.60 kV	4.0 kV
Pollution Degree				3