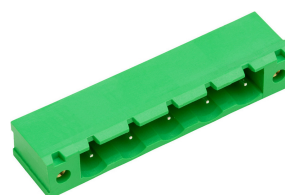


STLZ965/..F-7.62-H-GREEN



A Phoenix Mecano Brand



Technical Data

Wire sizes		Insulating Material	
Solid min	-	Material	PBT
Solid max	-	Flammability Class	UL 94 V-0
Stranded (flexible) min	-	Temperatures	
Stranded (flexible) max	-	Operating Temperature (without mech. load)	-40 °C - 105 °C
Stranded with Ferrule min	-	Store Temperature	-40 °C - 105 °C
Stranded with Ferrule max	-	Wave Soldering Process	
Dimensions		Soldering Temperature, recommended	260 °C
PCB Hole Diameter	1.6 mm	Peak Soldering Time, recommended	3-4 s
Materials		Reflow Process	
Thread Insert, Flange	Brass	Soldering Temperature, recommended	-
Contact Pin	Brass	Peak Soldering Time, recommended	-

Colours

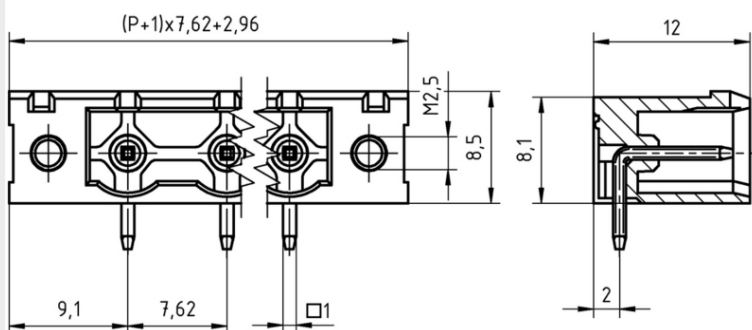
	GREEN, RAL 6018
	LIGHT GREEN, similar RAL 6018
	BASALT GREY, RAL 7012

Colours according to RAL, there may be variations on colour due to production conditions. Special colours on request.

Counterparts (Spacing 7.62 mm)

Terminal Block
AKZ965

In combination of connectors with different admission data, the lower value is valid.



Order Data (Spacing 7.62 mm)

Poles	Width (mm)	Article Designation	Article Number	PU
2	25.82	STLZ965/2F-7.62-H-GREEN	50965026021 E	100
3	33.44	STLZ965/3F-7.62-H-GREEN	50965036021 E	100
4	41.06	STLZ965/4F-7.62-H-GREEN	50965046021 D	50
5	48.68	STLZ965/5F-7.62-H-GREEN	50965056021 D	50
6	56.30	STLZ965/6F-7.62-H-GREEN	50965066021 D	50
7	63.92	STLZ965/7F-7.62-H-GREEN	50965076021 D	50
8	71.54	STLZ965/8F-7.62-H-GREEN	50965086021 D	50
9	79.16	STLZ965/9F-7.62-H-GREEN	50965096021 D	50
10	86.78	STLZ965/10F-7.62-H-GREEN	50965106021 D	50
11	94.40	STLZ965/11F-7.62-H-GREEN	50965116021 D	50
12	102.02	STLZ965/12F-7.62-H-GREEN	50965126021 D	50
13	109.64	STLZ965/13F-7.62-H-GREEN	50965136021 D	50
14	117.26	STLZ965/14F-7.62-H-GREEN	50965146021 D	50
15	124.88	STLZ965/15F-7.62-H-GREEN	50965156021 D	50
16	132.50	STLZ965/16F-7.62-H-GREEN	50965166021 D	50

Accessoires

Figure	Designation	Article Number
	Coding Star CS3-5.0/5.08-RED	Order Data: 50000000025
	Separating Element SE-STL950-GREEN	Order Data: 50950000002

Ratings

	C US			
UseGroup	B	C	D	
Rated Voltage	300 V	-	300 V	250 V
Rated Current	10 A	-	10 A	12 A
Overvoltage Category				III
Test Voltage	1.60 kV	-	1.60 kV	4.0 kV
Pollution Degree				3