



**Technical Data**

Wire sizes		Insulating Material	
Solid min	-	Material	PPA
Solid max	-	Flammability Class	UL 94 V-0
Stranded (flexible) min	-	Temperatures	
Stranded (flexible) max	-	Operating Temperature (without mech. load)	-40 °C - 105 °C
Stranded with Ferrule min	-	Store Temperature	-40 °C - 105 °C
Stranded with Ferrule max	-	Wave Soldering Process	
Dimensions		Soldering Temperature, recommended	260 °C
PCB Hole Diameter	1.4 mm	Peak Soldering Time, recommended	3-4 s
Materials		Reflow Process	
Contact Pin	Copper Alloy	Soldering Temperature, recommended	217 - 245 °C
		Peak Soldering Time, recommended	60 s

**Colours**

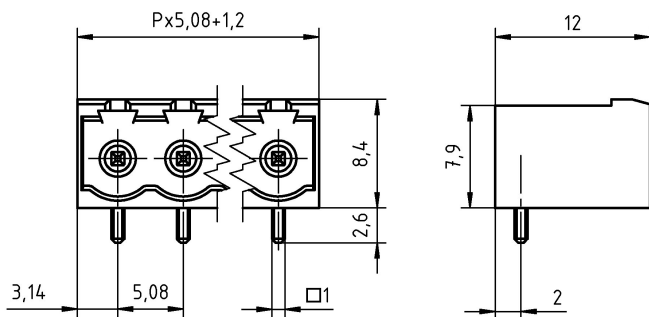
BLACK, RAL 9011

Colours according to RAL, there may be variations on colour due to production conditions.

**Counterparts (Spacing 5.08 mm)**

Terminal Block  
AKZ950

In combination of connectors with different admission data, the lower value is valid.



**Order Data (Spacing 5.08 mm)**

Poles	Width (mm)	Article Designation	Article Number	PU
2	11.36	STLZ950/2G-5.08-H-P2.6-BK-HC-HT	50950025329 F	200
3	16.44	STLZ950/3G-5.08-H-P2.6-BK-HC-HT	50950035329 F	200
4	21.52	STLZ950/4G-5.08-H-P2.6-BK-HC-HT	50950045329 F	200
5	26.60	STLZ950/5G-5.08-H-P2.6-BK-HC-HT	50950055329 E	100
6	31.68	STLZ950/6G-5.08-H-P2.6-BK-HC-HT	50950065329 E	100
7	36.76	STLZ950/7G-5.08-H-P2.6-BK-HC-HT	50950075329 E	100
8	41.84	STLZ950/8G-5.08-H-P2.6-BK-HC-HT	50950085329 D	50
9	46.92	STLZ950/9G-5.08-H-P2.6-BK-HC-HT	50950095329 D	50
10	52.00	STLZ950/10G-5.08-H-P2.6-BK-HC-HT	50950105329 D	50
11	57.08	STLZ950/11G-5.08-H-P2.6-BK-HC-HT	50950115329 D	50
12	62.16	STLZ950/12G-5.08-H-P2.6-BK-HC-HT	50950125329 D	50

**Accessoires**

Figure	Designation	Article Number
	Coding Star CS2-5.0/5.08-LIGHT GREY-HT	Order Data: 50000000028

**Ratings**

UseGroup	C <sub>RU</sub> US			VDE
	B	C	D	
Rated Voltage	300 V	150 V	300 V	250 V
Rated Current	16 A	16 A	10 A	16 A
Overvoltage Category				III
Test Voltage	1.60 kV	1.30 kV	1.60 kV	4.0 kV
Pollution Degree				3