



Technical Data

Wire sizes		Insulating Material	
Solid min	-	Material	PPA
Solid max	-	Flammability Class	UL 94 V-0
Stranded (flexible) min	-	Temperatures	
Stranded (flexible) max	-	Operating Temperature (without mech. load)	-40 °C - 105 °C
Stranded with Ferrule min	-	Store Temperature	-40 °C - 105 °C
Stranded with Ferrule max	-	Wave Soldering Process	
Dimensions		Soldering Temperature, recommended	260 °C
PCB Hole Diameter	1.4 mm	Peak Soldering Time, recommended	3-4 s
Materials		Reflow Process	
Thread Insert, Flange	Brass	Soldering Temperature, recommended	217 - 245 °C
Contact Pin	Copper Alloy	Peak Soldering Time, recommended	60 s

Colours

BLACK, RAL 9011

Colours according to RAL, there may be variations on colour due to production conditions.

Counterparts (Spacing 5.08 mm)

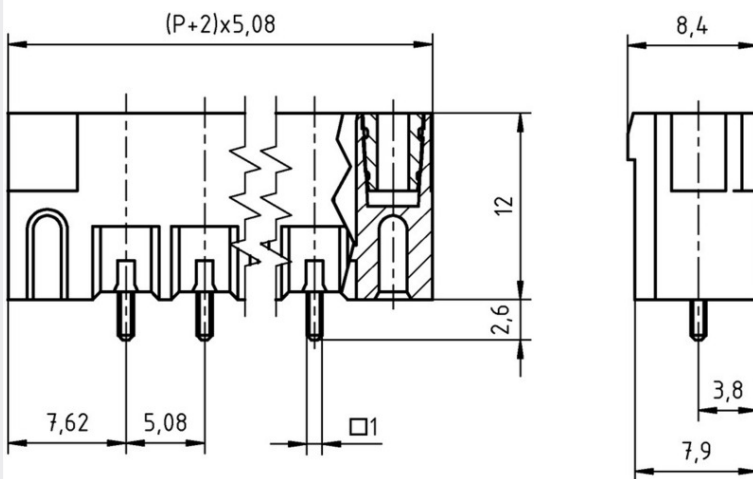
Terminal Block				
AKZ950	AKZ1100	AKZ1110	AKZ1200	AKZ4951
In combination of connectors with different admission data, the lower value is valid.				

Order Data (Spacing 5.08 mm)

Poles	Width (mm)	Article Designation	Article Number	PU
2	20.32	STLZ950/2F-5.08-V-P2.6-BK-HT	50950026367 E	100
3	25.40	STLZ950/3F-5.08-V-P2.6-BK-HT	50950036367 E	100
4	30.48	STLZ950/4F-5.08-V-P2.6-BK-HT	50950046367 E	100
5	35.56	STLZ950/5F-5.08-V-P2.6-BK-HT	50950056367 E	100
6	40.64	STLZ950/6F-5.08-V-P2.6-BK-HT	50950066367 D	50
7	45.72	STLZ950/7F-5.08-V-P2.6-BK-HT	50950076367 D	50
8	50.80	STLZ950/8F-5.08-V-P2.6-BK-HT	50950086367 D	50
9	55.88	STLZ950/9F-5.08-V-P2.6-BK-HT	50950096367 D	50
10	60.96	STLZ950/10F-5.08-V-P2.6-BK-HT	50950106367 D	50
11	66.04	STLZ950/11F-5.08-V-P2.6-BK-HT	50950116367 D	50
12	71.12	STLZ950/12F-5.08-V-P2.6-BK-HT	50950126367 D	50

Accessoires

Figure	Designation	Article Number
	Coding Star CS2-5.0/5.08-LIGHT GREY-HT	Order Data: 50000000028



Ratings

UseGroup	C US			
	B	C	D	
Rated Voltage	300 V	150 V	300 V	250 V
Rated Current	15 A	15 A	10 A	12 A
Overvoltage Category				III
Test Voltage	1.60 kV	1.30 kV	1.60 kV	4.0 kV
Pollution Degree				3