

# Series 1015.50

- Universal field of application
- Contacting of assembled PCBs

## Mechanical Data

Center	2.54 mm/100 mil
Temperature Range	-40 °C - +250 °C
Full Travel	4.20 mm
Spring Force at Working Travel	see High-Temperature Applications

## Electrical Data

Max. Current Rating	3.0 A
Typical Continuity Resistance	<= 50 mOhm

## Materials

Barrel	Bronze, gold-plated
Spring	Stainless Steel, unplated
Plunger	CuBe, rhodium plated
Receptacle	Bronze, gold-plated

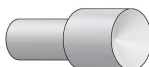
## Recommended Diameter of Drill

HP 2361.1 (Trolitax)	1.66 mm
with pressed-in Ring	1.81 mm
HGW 2372	1.67 mm
with pressed-in Ring	1.82 mm

## High-Temperature Applications

Temperature Range	-40 °C - +250 °C
Pre-Loaded Spring Force	0.35/ 0.50/ 0.70 N
Spring Force at Working Travel (Order Index E)	1.00/ 1.50/ 2.50 N

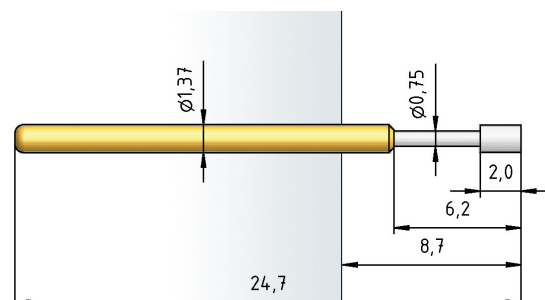
## Tip style - Diameter - Plating



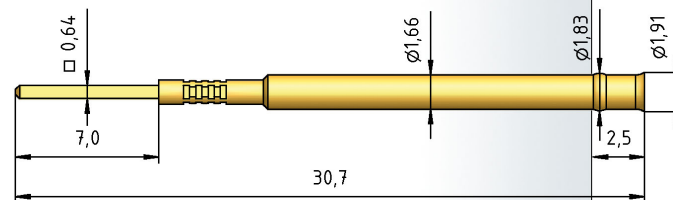
A

1.35C Rh

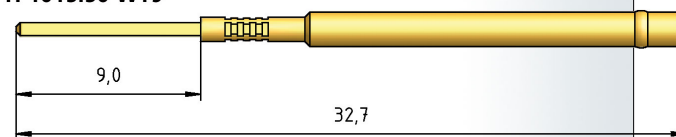
1015.50



H 1015.50 WT7



H 1015.50 WT9



## How to Order

1015 .50 - A - 1.5 N E - Rh - 1.35 C

1 2 3 4 5 6 7 8

1. Series 2. Variant 3. Tip Style  
4. Spring Force 5. High Temperature 6. Tip Plating  
7. Tip Diameter 8. Tip Material (only for CuBe)