

STLZ1550/..G-3.81-H-GREEN



A Phoenix Mecano Brand

Technical Data

Wire sizes		Insulating Material	
Solid min	-	Material	PA 6.6
Solid max	-	Flammability Class	UL 94 V-0
Stranded (flexible) min	-	Temperatures	
Stranded (flexible) max	-	Operating Temperature (without mech. load)	-40 °C - 105 °C
Stranded with Ferrule min	-	Store Temperature	-40 °C - 105 °C
Stranded with Ferrule max	-	Wave Soldering Process	
Dimensions		Soldering Temperature, recommended	260 °C
PCB Hole Diameter	1.2 mm	Peak Soldering Time, recommended	3-4 s
Materials		Reflow Process	
Contact Pin	Copper Alloy	Soldering Temperature, recommended	-
		Peak Soldering Time, recommended	-

Colours

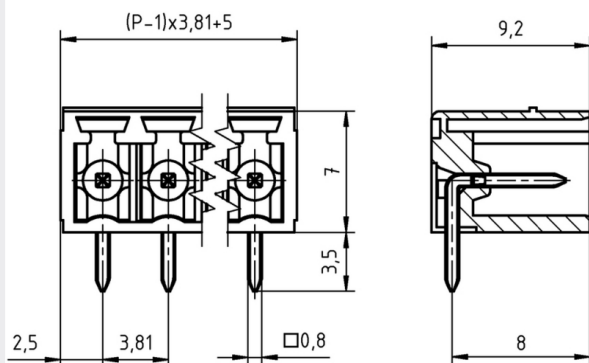
	GREEN, RAL 6018
	BLACK, RAL 9011
	BASALT GREY, RAL 7012
	LIGHT GREEN, similar RAL 6018

Colours according to RAL, there may be variations on colour due to production conditions. Special colours on request.

Counterparts (Spacing 3.81 mm)

Terminal Block				
AKZ1550	AKZ1700	AKZ1710	AKZ4551	AKZ4561

In combination of connectors with different admission data, the lower value is valid.



Order Data (Spacing 3.81 mm)

Poles	Width (mm)	Article Designation	Article Number	PU
2	9.01	STLZ1550/2G-3.81-H-GREEN	51550025025 F	200
3	12.82	STLZ1550/3G-3.81-H-GREEN	51550035025 F	200
4	16.63	STLZ1550/4G-3.81-H-GREEN	51550045025 F	200
5	20.44	STLZ1550/5G-3.81-H-GREEN	51550055025 F	200
6	24.25	STLZ1550/6G-3.81-H-GREEN	51550065025 E	100
7	28.06	STLZ1550/7G-3.81-H-GREEN	51550075025 E	100
8	31.87	STLZ1550/8G-3.81-H-GREEN	51550085025 D	50
9	35.68	STLZ1550/9G-3.81-H-GREEN	51550095025 D	50
10	39.49	STLZ1550/10G-3.81-H-GREEN	51550105025 D	50
11	43.30	STLZ1550/11G-3.81-H-GREEN	51550115025 D	50
12	47.11	STLZ1550/12G-3.81-H-GREEN	51550125025 D	50
13	50.92	STLZ1550/13G-3.81-H-GREEN	51550135025 D	50
14	54.73	STLZ1550/14G-3.81-H-GREEN	51550145025 D	50
15	58.54	STLZ1550/15G-3.81-H-GREEN	51550155025 D	50
16	62.35	STLZ1550/16G-3.81-H-GREEN	51550165025 D	50
17	66.16	STLZ1550/17G-3.81-H-GREEN	51550175025 D	50
18	69.97	STLZ1550/18G-3.81-H-GREEN	51550185025 D	50
19	73.78	STLZ1550/19G-3.81-H-GREEN	51550195025 D	50
20	77.59	STLZ1550/20G-3.81-H-GREEN	51550205025 D	50

Accessoires

Figure	Designation	Article Number
	Coding Star CS1-3.5/3.81-RED	Order Data: 50000000023
	Separating Element SE-STL1550-GREEN	Order Data: 51550000002

Ratings

	C US			
UseGroup	B	C	D	
Rated Voltage	300 V	-	300 V	160 V
Rated Current	10 A	-	10 A	10 A
Overvoltage Category				III
Test Voltage	1.60 kV	-	1.60 kV	2.5 kV
Pollution Degree				3