

STL975/..G-5.0-H-GREEN



A Phoenix Mecano Brand

Technical Data

Wire sizes		Insulating Material	
Solid min	-	Material	PA 6.6
Solid max	-	Flammability Class	UL 94 V-0
Stranded (flexible) min	-	Temperatures	
Stranded (flexible) max	-	Operating Temperature (without mech. load)	-40 °C - 105 °C
Stranded with Ferrule min	-	Store Temperature	-40 °C - 105 °C
Stranded with Ferrule max	-	Wave Soldering Process	
Dimensions		Soldering Temperature, recommended	260 °C
PCB Hole Diameter	1.4 mm	Peak Soldering Time, recommended	3-4 s
Materials		Reflow Process	
Contact Pin	Copper Alloy	Soldering Temperature, recommended	-
		Peak Soldering Time, recommended	-

Colours

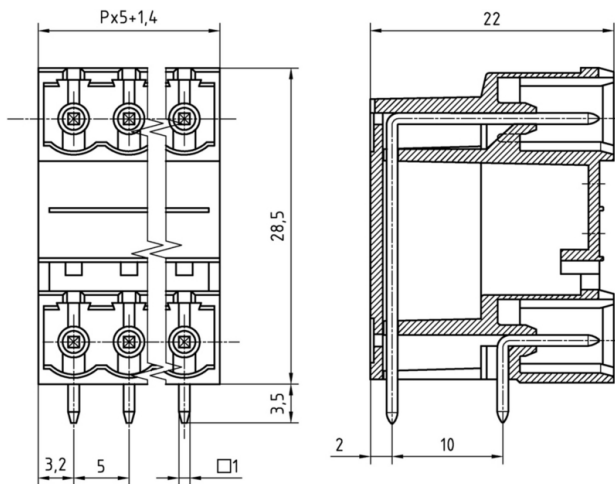
	GREEN, RAL 6018
	LIGHT GREEN, similar RAL 6018

Colours according to RAL, there may be variations on colour due to production conditions. Special colours on request.

Counterparts (Spacing 5.0 mm)

Terminal Block			
AK950	AK955	AK1100	AK1110

In combination of connectors with different admission data, the lower value is valid.



Order Data (Spacing 5.0 mm)

Poles	Width (mm)	Article Designation	Article Number	PU
2	11.40	STL975/2G-5.0-H-GREEN	50975025001 D	50
3	16.40	STL975/3G-5.0-H-GREEN	50975035001 D	50
4	21.40	STL975/4G-5.0-H-GREEN	50975045001 D	50
5	26.40	STL975/5G-5.0-H-GREEN	50975055001 D	50
6	31.40	STL975/6G-5.0-H-GREEN	50975065001 D	50
7	36.40	STL975/7G-5.0-H-GREEN	50975075001 D	50
8	41.40	STL975/8G-5.0-H-GREEN	50975085001 D	50
9	46.40	STL975/9G-5.0-H-GREEN	50975095001 D	50
10	51.40	STL975/10G-5.0-H-GREEN	50975105001 D	50
11	56.40	STL975/11G-5.0-H-GREEN	50975115001 D	50
12	61.40	STL975/12G-5.0-H-GREEN	50975125001 D	50
13	66.40	STL975/13G-5.0-H-GREEN	50975135001 D	50
14	71.40	STL975/14G-5.0-H-GREEN	50975145001 D	50
15	76.40	STL975/15G-5.0-H-GREEN	50975155001 D	50
16	81.40	STL975/16G-5.0-H-GREEN	50975165001 D	50
17	86.40	STL975/17G-5.0-H-GREEN	50975175001 D	50
18	91.40	STL975/18G-5.0-H-GREEN	50975185001 D	50
19	96.40	STL975/19G-5.0-H-GREEN	50975195001 D	50
20	101.40	STL975/20G-5.0-H-GREEN	50975205001 D	50
21	106.40	STL975/21G-5.0-H-GREEN	50975215001 D	50
22	111.40	STL975/22G-5.0-H-GREEN	50975225001 D	50
23	116.40	STL975/23G-5.0-H-GREEN	50975235001 D	50
24	121.40	STL975/24G-5.0-H-GREEN	50975245001 D	50

Accessoires

Figure	Designation	Article Number
	Coding Star CS2-5.0/5.08-RED	Order Data: 50000000024
	Separating Element SE-STL950-GREEN	Order Data: 50950000002

Ratings

UseGroup	C US			
	B	C	D	
Rated Voltage	300 V	150 V	300 V	250 V
Rated Current	15 A	15 A	10 A	12 A
Overvoltage Category				III
Test Voltage	1.60 kV	1.30 kV	1.60 kV	4.0 kV
Pollution Degree				3