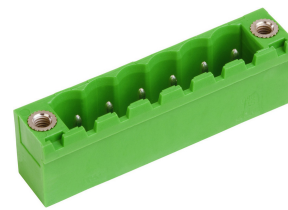


STL950/..F-10.0-V-GREEN



A Phoenix Mecano Brand

Technical Data

Wire sizes		Insulating Material	
Solid min	-	Material	PA 6.6
Solid max	-	Flammability Class	UL 94 V-0
Stranded (flexible) min	-	Temperatures	
Stranded (flexible) max	-	Operating Temperature (without mech. load)	-40 °C - 105 °C
Stranded with Ferrule min	-	Store Temperature	-40 °C - 105 °C
Stranded with Ferrule max	-	Wave Soldering Process	
Dimensions		Soldering Temperature, recommended	260 °C
PCB Hole Diameter	1.4 mm	Peak Soldering Time, recommended	3-4 s
Materials		Reflow Process	
Thread Insert, Flange	Brass	Soldering Temperature, recommended	-
Contact Pin	Copper Alloy	Peak Soldering Time, recommended	-

Colours

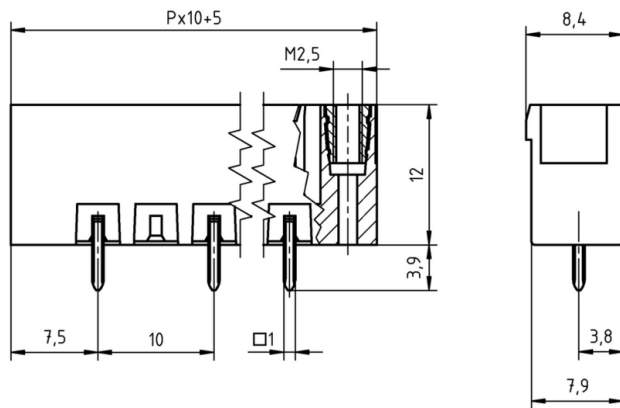
	GREEN, RAL 6018
	LIGHT GREEN, similar RAL 6018

Colours according to RAL, there may be variations on colour due to production conditions. Special colours on request.

Counterparts (Spacing 10.0 mm)

Terminal Block
AK950

In combination of connectors with different admission data, the lower value is valid.



Order Data (Spacing 10.0 mm)

Poles	Width (mm)	Article Designation	Article Number	PU
2	25.00	STL950/2F-10.0-V-GREEN	50950026141 E	100
3	35.00	STL950/3F-10.0-V-GREEN	50950036141 E	100
4	45.00	STL950/4F-10.0-V-GREEN	50950046141 D	50
5	55.00	STL950/5F-10.0-V-GREEN	50950056141 D	50
6	65.00	STL950/6F-10.0-V-GREEN	50950066141 D	50
7	75.00	STL950/7F-10.0-V-GREEN	50950076141 D	50
8	85.00	STL950/8F-10.0-V-GREEN	50950086141 D	50
9	95.00	STL950/9F-10.0-V-GREEN	50950096141 D	50
10	105.00	STL950/10F-10.0-V-GREEN	50950106141 D	50
11	115.00	STL950/11F-10.0-V-GREEN	50950116141 D	50
12	125.00	STL950/12F-10.0-V-GREEN	50950126141 D	50

Accessoires

Figure	Designation	Article Number
	Coding Star CS2-5.0/5.08-RED	Order Data: 50000000024
	Separating Element SE-STL950-GREEN	Order Data: 50950000002

Ratings

UseGroup	C US			
	B	C	D	
Rated Voltage	300 V	150 V	300 V	630 V
Rated Current	15 A	15 A	-	12 A
Overvoltage Category				III
Test Voltage	1.60 kV	1.30 kV	1.60 kV	6.0 kV
Pollution Degree				3