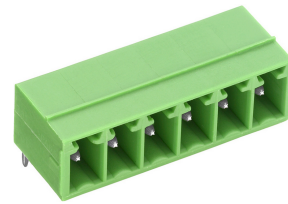


STL1550/..G-7.0-H-GREEN



A Phoenix Mecano Brand

Technical Data

Wire sizes		Insulating Material	
Solid min	-	Material	PA 6.6
Solid max	-	Flammability Class	UL 94 V-0
Stranded (flexible) min	-	Temperatures	
Stranded (flexible) max	-	Operating Temperature (without mech. load)	-40 °C - 105 °C
Stranded with Ferrule min	-	Store Temperature	-40 °C - 105 °C
Stranded with Ferrule max	-	Wave Soldering Process	
Dimensions		Soldering Temperature, recommended	260 °C
PCB Hole Diameter	1.2 mm	Peak Soldering Time, recommended	3-4 s
Materials		Reflow Process	
Contact Pin	Copper Alloy	Soldering Temperature, recommended	-
		Peak Soldering Time, recommended	-

Colours

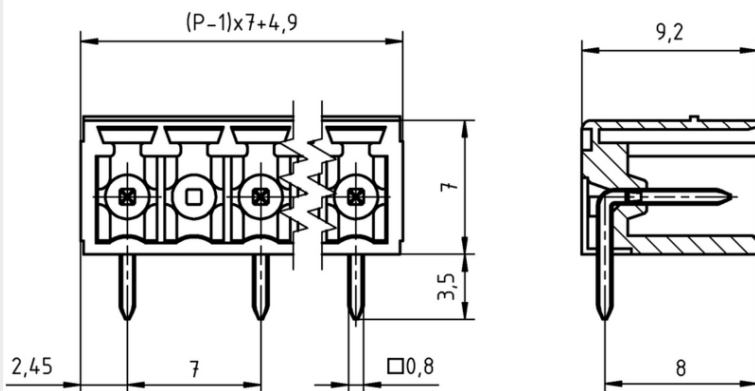
	GREEN, RAL 6018
	BASALT GREY, RAL 7012
	LIGHT GREEN, similar RAL 6018

Colours according to RAL, there may be variations on colour due to production conditions. Special colours on request.

Counterparts (Spacing 7.0 mm)

Terminal Block
AK1550

In combination of connectors with different admission data, the lower value is valid.



Order Data (Spacing 7.0 mm)

Poles	Width (mm)	Article Designation	Article Number	PU
2	11.90	STL1550/2G-7.0-H-GREEN	51550025041 F	200
3	18.90	STL1550/3G-7.0-H-GREEN	51550035041 F	200
4	25.90	STL1550/4G-7.0-H-GREEN	51550045041 E	100
5	32.90	STL1550/5G-7.0-H-GREEN	51550055041 D	50
6	39.90	STL1550/6G-7.0-H-GREEN	51550065041 D	50
7	46.90	STL1550/7G-7.0-H-GREEN	51550075041 D	50
8	53.90	STL1550/8G-7.0-H-GREEN	51550085041 D	50
9	60.90	STL1550/9G-7.0-H-GREEN	51550095041 D	50
10	67.90	STL1550/10G-7.0-H-GREEN	51550105041 D	50

Accessoires

Figure	Designation	Article Number
	Coding Star CS1-3.5/3.81-RED	Order Data: 50000000023

Ratings

	C ^{RU} US			VDE
UseGroup	B	C	D	
Rated Voltage	300 V	-	300 V	500 V
Rated Current	8 A	-	-	8 A
Overvoltage Category				III
Test Voltage	1.60 kV	-	1.60 kV	6.0 kV
Pollution Degree				3