

STL1550/..G-3.5-H-P2.6-BK-HT



- Pin length 1.4 mm / 3.5 mm also available

Technical Data

Wire sizes		Insulating Material	
Solid min	-	Material	PA
Solid max	-	Flammability Class	UL 94 V-0
Stranded (flexible) min	-	Temperatures	
Stranded (flexible) max	-	Operating Temperature (without mech. load)	-40 °C - 105 °C
Stranded with Ferrule min	-	Store Temperature	-40 °C - 105 °C
Stranded with Ferrule max	-	Wave Soldering Process	
Dimensions		Soldering Temperature, recommended	260 °C
PCB Hole Diameter	1.2 mm	Peak Soldering Time, recommended	3-4 s
Materials		Reflow Process	
Contact Pin	Copper Alloy	Soldering Temperature, recommended	217 - 245 °C
		Peak Soldering Time, recommended	60 s

Colours

BLACK, RAL 9011

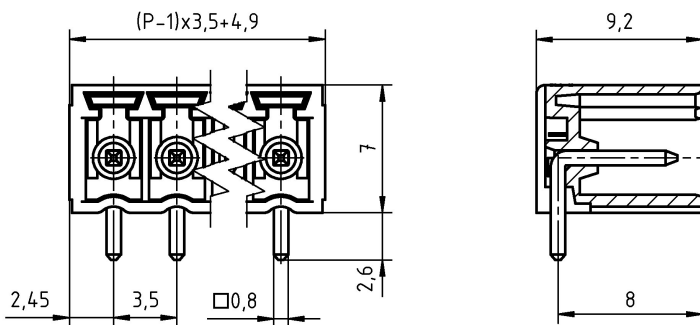
Colours according to RAL, there may be variations on colour due to production conditions.

Counterparts (Spacing 3.5 mm)

Terminal Block

AK1550 AK1700 AK1710 AK4541 AK4551 AK4561

In combination of connectors with different admission data, the lower value is valid.



Order Data (Spacing 3.5 mm)

Poles	Width (mm)	Article Designation	Article Number	PU
2	8.40	STL1550/2G-3.5-H-P2.6-BK-HT	51550025333 F	200
3	11.90	STL1550/3G-3.5-H-P2.6-BK-HT	51550035333 F	200
4	15.40	STL1550/4G-3.5-H-P2.6-BK-HT	51550045333 F	200
5	18.90	STL1550/5G-3.5-H-P2.6-BK-HT	51550055333 F	200
6	22.40	STL1550/6G-3.5-H-P2.6-BK-HT	51550065333 E	100
7	25.90	STL1550/7G-3.5-H-P2.6-BK-HT	51550075333 E	100
8	29.40	STL1550/8G-3.5-H-P2.6-BK-HT	51550085333 D	50
9	32.90	STL1550/9G-3.5-H-P2.6-BK-HT	51550095333 D	50
10	36.40	STL1550/10G-3.5-H-P2.6-BK-HT	51550105333 D	50
11	39.90	STL1550/11G-3.5-H-P2.6-BK-HT	51550115333 D	50
12	43.40	STL1550/12G-3.5-H-P2.6-BK-HT	51550125333 D	50

Accessoires

Figure	Designation	Article Number
	Coding Star CS1-3.5/3.81-NATURAL-HT	Order Data: 50000000022

Ratings

UseGroup				
	B	C	D	
Rated Voltage	300 V	-	300 V	160 V
Rated Current	10 A	-	10 A	10 A
Overvoltage Category				III
Test Voltage	1.60 kV	-	1.60 kV	2.5 kV
Pollution Degree				3