

STL1550/..G-3.5-H-BASALTGREY



A Phoenix Mecano Brand

Technical Data

Wire sizes		Insulating Material	
Solid min	-	Material	PA 6.6
Solid max	-	Flammability Class	UL 94 V-0
Stranded (flexible) min		Temperatures	
Stranded (flexible) max	-	Operating Temperature (without mech. load)	-40 °C - 105 °C
Stranded with Ferrule min	-	Store Temperature	-40 °C - 105 °C
Stranded with Ferrule max	-	Wave Soldering Process	
Dimensions		Soldering Temperature, recommended	260 °C
PCB Hole Diameter	1.2 mm	Peak Soldering Time, recommended	3-4 s
Materials		Reflow Process	
Contact Pin	Copper Alloy	Soldering Temperature, recommended	-
		Peak Soldering Time, recommended	-

Colours

	BASALT GREY, RAL 7012
	GREEN, RAL 6018
	LIGHT GREEN, similar RAL 6018

Colours according to RAL, there may be variations on colour due to production conditions. Special colours on request.

Counterparts (Spacing 3.5 mm)

Terminal Block		
AK4541	AK4551	AK4561

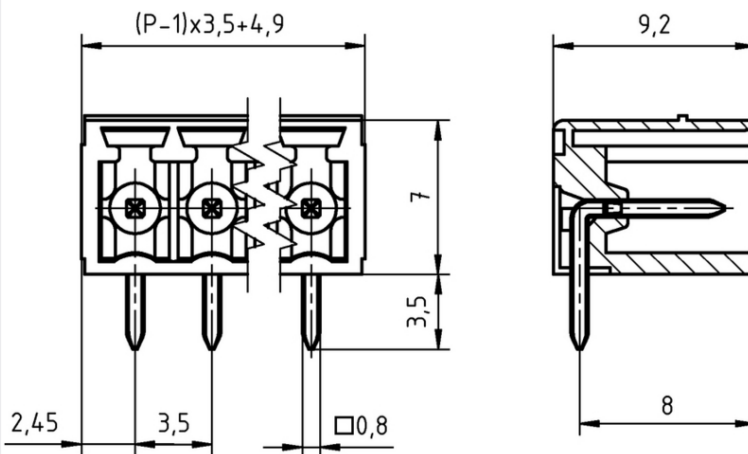
In combination of connectors with different admission data, the lower value is valid.

Order Data (Spacing 3.5 mm)

Poles	Width (mm)	Article Designation	Article Number	PU
2	8.40	STL1550/2G-3.5-H-BASALTGREY	51550025255 F	200
3	11.90	STL1550/3G-3.5-H-BASALTGREY	51550035255 F	200
4	15.40	STL1550/4G-3.5-H-BASALTGREY	51550045255 F	200
5	18.90	STL1550/5G-3.5-H-BASALTGREY	51550055255 F	200
6	22.40	STL1550/6G-3.5-H-BASALTGREY	51550065255 E	100
7	25.90	STL1550/7G-3.5-H-BASALTGREY	51550075255 E	100
8	29.40	STL1550/8G-3.5-H-BASALTGREY	51550085255 D	50
9	32.90	STL1550/9G-3.5-H-BASALTGREY	51550095255 D	50
10	36.40	STL1550/10G-3.5-H-BASALTGREY	51550105255 D	50
11	39.90	STL1550/11G-3.5-H-BASALTGREY	51550115255 D	50
12	43.40	STL1550/12G-3.5-H-BASALTGREY	51550125255 D	50
13	46.90	STL1550/13G-3.5-H-BASALTGREY	51550135255 D	50
14	50.40	STL1550/14G-3.5-H-BASALTGREY	51550145255 D	50
15	53.90	STL1550/15G-3.5-H-BASALTGREY	51550155255 D	50
16	57.40	STL1550/16G-3.5-H-BASALTGREY	51550165255 D	50
17	60.90	STL1550/17G-3.5-H-BASALTGREY	51550175255 D	50
18	64.40	STL1550/18G-3.5-H-BASALTGREY	51550185255 D	50
19	67.90	STL1550/19G-3.5-H-BASALTGREY	51550195255 D	50
20	71.40	STL1550/20G-3.5-H-BASALTGREY	51550205255 D	50

Accessoires

Figure	Designation	Article Number
	Coding Star CS1-3.5/3.81-RED	Order Data: 50000000023



Ratings

UseGroup	C US			
	B	C	D	
Rated Voltage	300 V	-	300 V	160 V
Rated Current	10 A	-	10 A	10 A
Overvoltage Category				III
Test Voltage	1.60 kV	-	1.60 kV	2.5 kV
Pollution Degree				3