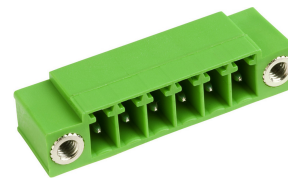


STL1550/..F-3.5-H-GREEN



A Phoenix Mecano Brand

Technical Data

Wire sizes		Insulating Material	
Solid min	-	Material	PA 6.6
Solid max	-	Flammability Class	UL 94 V-0
Stranded (flexible) min	-	Temperatures	
Stranded (flexible) max	-	Operating Temperature (without mech. load)	-40 °C - 105 °C
Stranded with Ferrule min	-	Store Temperature	-40 °C - 105 °C
Stranded with Ferrule max	-	Wave Soldering Process	
Dimensions		Soldering Temperature, recommended	260 °C
PCB Hole Diameter	1.2 mm	Peak Soldering Time, recommended	3-4 s
Materials		Reflow Process	
Thread Insert, Flange	Brass	Soldering Temperature, recommended	-
Contact Pin	Copper Alloy	Peak Soldering Time, recommended	-

Colours

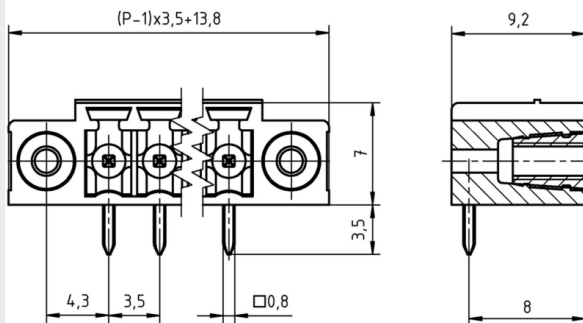
	GREEN, RAL 6018
	BLACK, RAL 9011
	BASALT GREY, RAL 7012
	LIGHT GREEN, similar RAL 6018

Colours according to RAL, there may be variations on colour due to production conditions. Special colours on request.

Counterparts (Spacing 3.5 mm)

Terminal Block				
AK1550	AK1700	AK1710	AK4551	AK4561

In combination of connectors with different admission data, the lower value is valid.



Order Data (Spacing 3.5 mm)

Poles	Width (mm)	Article Designation	Article Number	PU
2	17.30	STL1550/2F-3.5-H-GREEN	51550026001 E	100
3	20.80	STL1550/3F-3.5-H-GREEN	51550036001 E	100
4	24.30	STL1550/4F-3.5-H-GREEN	51550046001 E	100
5	27.80	STL1550/5F-3.5-H-GREEN	51550056001 D	50
6	31.30	STL1550/6F-3.5-H-GREEN	51550066001 D	50
7	34.80	STL1550/7F-3.5-H-GREEN	51550076001 D	50
8	38.30	STL1550/8F-3.5-H-GREEN	51550086001 D	50
9	41.80	STL1550/9F-3.5-H-GREEN	51550096001 D	50
10	45.30	STL1550/10F-3.5-H-GREEN	51550106001 D	50
11	48.80	STL1550/11F-3.5-H-GREEN	51550116001 D	50
12	52.30	STL1550/12F-3.5-H-GREEN	51550126001 D	50
13	55.80	STL1550/13F-3.5-H-GREEN	51550136001 D	50
14	59.30	STL1550/14F-3.5-H-GREEN	51550146001 D	50
15	62.80	STL1550/15F-3.5-H-GREEN	51550156001 D	50
16	66.30	STL1550/16F-3.5-H-GREEN	51550166001 D	50
17	69.80	STL1550/17F-3.5-H-GREEN	51550176001 D	50
18	73.30	STL1550/18F-3.5-H-GREEN	51550186001 D	50
19	76.80	STL1550/19F-3.5-H-GREEN	51550196001 D	50
20	80.30	STL1550/20F-3.5-H-GREEN	51550206001 D	50

Accessoires

Figure	Designation	Article Number
	Coding Star CS1-3.5/3.81-RED	Order Data: 50000000023
	Separating Element SE-STL1550-GREEN	Order Data: 51550000002

Ratings

UseGroup	C US			
	B	C	D	
Rated Voltage	300 V	-	300 V	160 V
Rated Current	10 A	-	10 A	10 A
Overvoltage Category				III
Test Voltage	1.60 kV	-	1.60 kV	2.5 kV
Pollution Degree				3