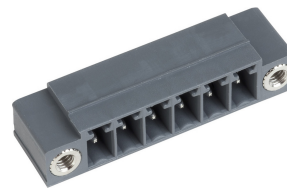


STL1550/..F-3.5-H-BASALTGREY



A Phoenix Mecano Brand

Technical Data

| Wire sizes | | Insulating Material | |
|---------------------------|--------------|--|-----------------|
| Solid min | - | Material | PA 6.6 |
| Solid max | - | Flammability Class | UL 94 V-0 |
| Stranded (flexible) min | - | Temperatures | |
| Stranded (flexible) max | - | Operating Temperature (without mech. load) | -40 °C - 105 °C |
| Stranded with Ferrule min | - | Store Temperature | -40 °C - 105 °C |
| Stranded with Ferrule max | - | Wave Soldering Process | |
| Dimensions | | Soldering Temperature, recommended | 260 °C |
| PCB Hole Diameter | 1.2 mm | Peak Soldering Time, recommended | 3-4 s |
| Materials | | Reflow Process | |
| Thread Insert, Flange | Brass | Soldering Temperature, recommended | - |
| Contact Pin | Copper Alloy | Peak Soldering Time, recommended | - |

Colours

| | |
|--|-------------------------------|
| | BASALT GREY, RAL 7012 |
| | GREEN, RAL 6018 |
| | LIGHT GREEN, similar RAL 6018 |

Colours according to RAL, there may be variations on colour due to production conditions. Special colours on request.

Counterparts (Spacing 3.5 mm)

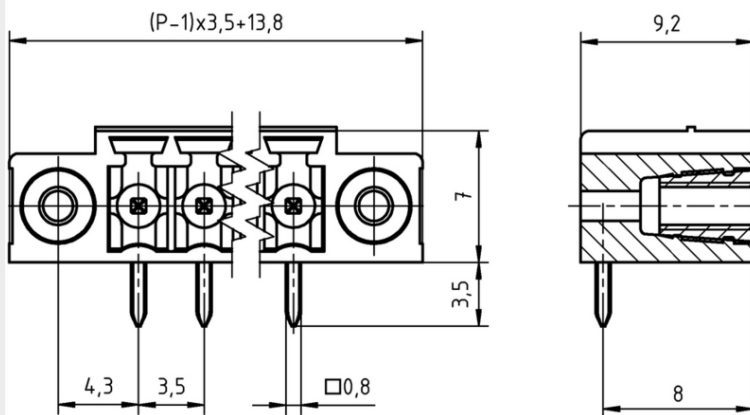
| Terminal Block | AK4561 |
|---|--------|
| In combination of connectors with different admission data, the lower value is valid. | |

Order Data (Spacing 3.5 mm)

| Poles | Width (mm) | Article Designation | Article Number | PU |
|-------|------------|------------------------------|----------------|-----|
| 2 | 17.30 | STL1550/2F-3.5-H-BASALTGREY | 51550026255 E | 100 |
| 3 | 20.80 | STL1550/3F-3.5-H-BASALTGREY | 51550036255 E | 100 |
| 4 | 24.30 | STL1550/4F-3.5-H-BASALTGREY | 51550046255 E | 100 |
| 5 | 27.80 | STL1550/5F-3.5-H-BASALTGREY | 51550056255 D | 50 |
| 6 | 31.30 | STL1550/6F-3.5-H-BASALTGREY | 51550066255 D | 50 |
| 7 | 34.80 | STL1550/7F-3.5-H-BASALTGREY | 51550076255 D | 50 |
| 8 | 38.30 | STL1550/8F-3.5-H-BASALTGREY | 51550086255 D | 50 |
| 9 | 41.80 | STL1550/9F-3.5-H-BASALTGREY | 51550096255 D | 50 |
| 10 | 45.30 | STL1550/10F-3.5-H-BASALTGREY | 51550106255 D | 50 |
| 11 | 48.80 | STL1550/11F-3.5-H-BASALTGREY | 51550116255 D | 50 |
| 12 | 52.30 | STL1550/12F-3.5-H-BASALTGREY | 51550126255 D | 50 |
| 13 | 55.80 | STL1550/13F-3.5-H-BASALTGREY | 51550136255 D | 50 |
| 14 | 59.30 | STL1550/14F-3.5-H-BASALTGREY | 51550146255 D | 50 |
| 15 | 62.80 | STL1550/15F-3.5-H-BASALTGREY | 51550156255 D | 50 |
| 16 | 66.30 | STL1550/16F-3.5-H-BASALTGREY | 51550166255 D | 50 |
| 17 | 69.80 | STL1550/17F-3.5-H-BASALTGREY | 51550176255 D | 50 |
| 18 | 73.30 | STL1550/18F-3.5-H-BASALTGREY | 51550186255 D | 50 |
| 19 | 76.80 | STL1550/19F-3.5-H-BASALTGREY | 51550196255 D | 50 |
| 20 | 80.30 | STL1550/20F-3.5-H-BASALTGREY | 51550206255 D | 50 |

Accessoires

| Figure | Designation | Article Number |
|--------|------------------------------|-------------------------|
| | Coding Star CS1-3.5/3.81-RED | Order Data: 50000000023 |



Ratings

| | C US | | | |
|----------------------|---------|---|---------|--------|
| UseGroup | B | C | D | |
| Rated Voltage | 300 V | - | 300 V | 160 V |
| Rated Current | 10 A | - | 10 A | 10 A |
| Overtoltage Category | | | | III |
| Test Voltage | 1.60 kV | - | 1.60 kV | 2.5 kV |
| Pollution Degree | | | | 3 |