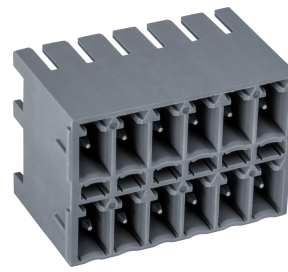


STL1541/..G-3.5-H-BASALTGREY



Technical Data

Wire sizes		Insulating Material	
Solid min	-	Material	LCP
Solid max	-	Flammability Class	UL 94 V-0
Stranded (flexible) min	-	Temperatures	
Stranded (flexible) max	-	Operating Temperature (without mech. load)	-40 °C - 105 °C
Stranded with Ferrule min	-	Store Temperature	-40 °C - 105 °C
Stranded with Ferrule max	-	Wave Soldering Process	
Dimensions		Soldering Temperature, recommended	260 °C
PCB Hole Diameter	1.2 mm	Peak Soldering Time, recommended	3-4 s
Materials		Reflow Process	
Contact Pin	Copper Alloy	Soldering Temperature, recommended	-
		Peak Soldering Time, recommended	-

Colours

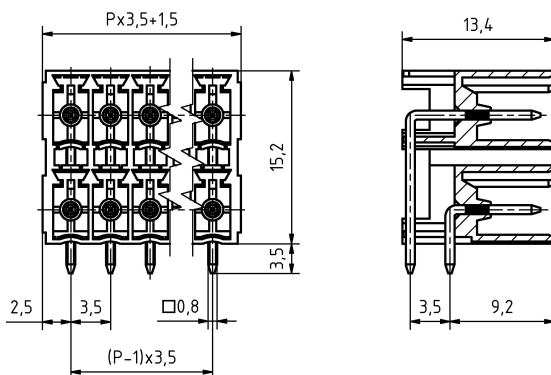
	BASALT GREY, RAL 7012
	GREEN, RAL 6018
	LIGHT GREEN, similar RAL 6018

Colours according to RAL, there may be variations on colour due to production conditions. Special colours on request.

Counterparts (Spacing 3.5 mm)

Terminal Block
AK4541

In combination of connectors with different admission data, the lower value is valid.



Order Data (Spacing 3.5 mm)

Poles	Width (mm)	Article Designation	Article Number	PU
2	8.50	STL1541/2G-3.5-H-BASALTGREY	51541025001 E	100
3	12.00	STL1541/3G-3.5-H-BASALTGREY	51541035001 E	100
4	15.50	STL1541/4G-3.5-H-BASALTGREY	51541045001 E	100
5	19.00	STL1541/5G-3.5-H-BASALTGREY	51541055001 E	100
6	22.50	STL1541/6G-3.5-H-BASALTGREY	51541065001 D	50
7	26.00	STL1541/7G-3.5-H-BASALTGREY	51541075001 D	50
8	29.50	STL1541/8G-3.5-H-BASALTGREY	51541085001 D	50
9	33.00	STL1541/9G-3.5-H-BASALTGREY	51541095001 D	50
10	36.50	STL1541/10G-3.5-H-BASALTGREY	51541105001 D	50
11	40.00	STL1541/11G-3.5-H-BASALTGREY	51541115001 D	50
12	43.50	STL1541/12G-3.5-H-BASALTGREY	51541125001 D	50
13	47.00	STL1541/13G-3.5-H-BASALTGREY	51541135001 D	50
14	50.50	STL1541/14G-3.5-H-BASALTGREY	51541145001 D	50
15	54.00	STL1541/15G-3.5-H-BASALTGREY	51541155001 D	50
16	57.50	STL1541/16G-3.5-H-BASALTGREY	51541165001 D	50
17	61.00	STL1541/17G-3.5-H-BASALTGREY	51541175001 D	50
18	64.50	STL1541/18G-3.5-H-BASALTGREY	51541185001 D	50
19	68.00	STL1541/19G-3.5-H-BASALTGREY	51541195001 D	50
20	71.50	STL1541/20G-3.5-H-BASALTGREY	51541205001 D	50

Ratings

	C UL US *			VDE *
UseGroup	B	C	D	
Rated Voltage	300 V	-	300 V	160 V
Rated Current	10 A	-	10 A	10 A
Overvoltage Category				III
Test Voltage	1.60 kV	-	1.60 kV	2.5 kV
Pollution Degree				3

* Approval Pending