



### Technical Data

Wire sizes		Insulating Material	
Solid min	-	Material	PA 6.6
Solid max	-	Flammability Class	UL 94 V-0
Stranded (flexible) min	-	<b>Temperatures</b>	
Stranded (flexible) max	-	Operating Temperature (without mech. load)	-40 °C - 105 °C
Stranded with Ferrule min	-	Store Temperature	-40 °C - 105 °C
Stranded with Ferrule max	-	<b>Wave Soldering Process</b>	
<b>Dimensions</b>		Soldering Temperature, recommended	260 °C
<b>Materials</b>		Peak Soldering Time, recommended	-
Contact Pin	Copper Alloy	<b>Reflow Process</b>	
		Soldering Temperature, recommended	217 - 245 °C
		Peak Soldering Time, recommended	60 s

### Colours

BLACK, RAL 9011

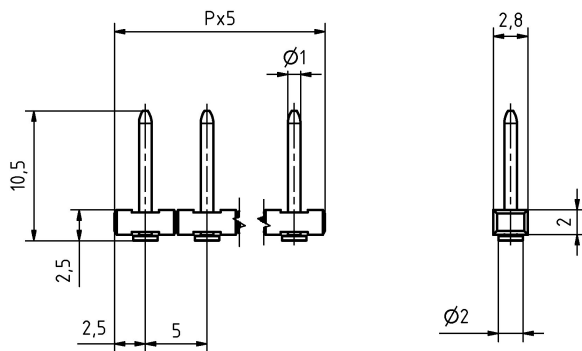
Colours according to RAL, there may be variations on colour due to production conditions.

### Counterparts (Spacing 5.0 mm)

Terminal Block

AK136

In combination of connectors with different admission data, the lower value is valid.

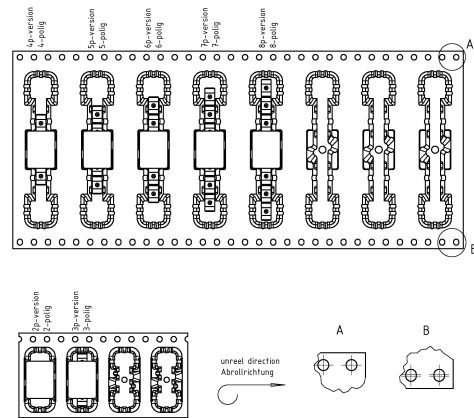


### Order Data (Spacing 5.0 mm)

Poles	Width (mm)	Article Designation	Article Number	PU
2	10.00	STL136/2-5.0-V-BK-SMD	50136029031R	330
3	15.00	STL136/3-5.0-V-BK-SMD	50136039031R	330
4	20.00	STL136/4-5.0-V-BK-SMD	50136049031R	250
5	25.00	STL136/5-5.0-V-BK-SMD	50136059031R	250
6	30.00	STL136/6-5.0-V-BK-SMD	50136069031R	250
7	35.00	STL136/7-5.0-V-BK-SMD	50136079031R	250
8	40.00	STL136/8-5.0-V-BK-SMD	50136089031R	250

### Tape on Reel

Poles	Reel (RD/")	Width (R/mm)	Pitch (RP/mm)	Pieces (PCS)
2	13	24	12	330
3	13	24	12	330
4	13	56	16	250
5	13	56	16	250
6	13	56	16	250
7	13	56	16	250
8	13	56	16	250



### Electrical Data

		*		*	
Overvoltage Category		III	III	III	II
Pollution Degree		3	2	2	2
Rated Voltage	300 V	160 V	320 V	320 V	320 V
Rated Current	10 A	10 A -	10 A -	10 A -	10 A -
Test Voltage	1.60 kV	2.5 kV	2.5 kV	2.5 kV	2.5 kV

\* Approval Pending \* Approval Pending