

# Series 5310/G

- Compact design
- For use in function test or IN-LINE-TEST

Mechanical Data	
Center	2.54 mm/100 mil
Temperature Range	-30 °C - +120 °C
Full Travel	4.50 mm
Working Travel	3.50 mm
Pre-loaded Spring Force	0.35/ 0.40 N
Spring Force at Working Travel	1.50/ 2.50 N
Spring Force at Working Travel	see High-Temperature Applications

Electrical Data	
Max. Current Rating	16.0 A
Typical Continuity Resistance	<= 10 mOhm

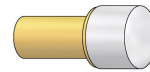
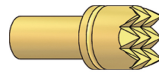
Materials	
Barrel	Brass, gold-plated
Spring	Stainless Steel, gold-plated
Plunger	CuBe, gold-plated/Silver Cap
Receptacle	Brass, gold-plated

Recommended Diameter of Drill	
HP 2361.1 (Trolitax)	2.00 mm
HGW 2372	2.03 mm

High-Temperature Applications	
Temperature Range	-30 °C - +250 °C
Pre-Loaded Spring Force	0.35/ 0.40 N
Spring Force at Working Travel (Order Index E)	1.50/ 2.50 N

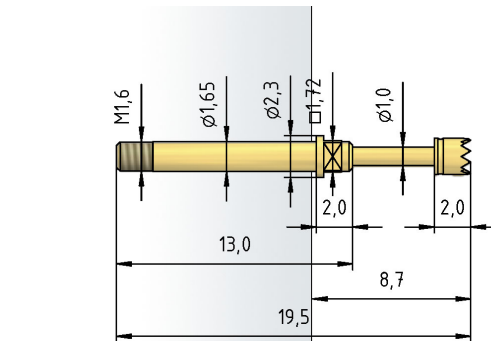
Available Screw Tools	
Article Designation	max. Tip Diameter
WFS 1021/G-2.54-1.8	1.8
WFS 1021/G-2.54-2.0	2.0

## Tip style - Diameter - Plating

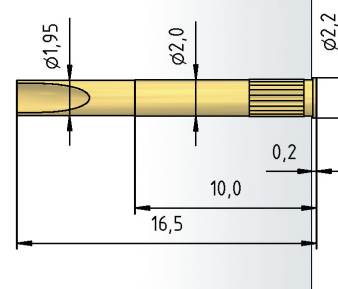


CX	F3X
2.00C Au	2.00C Ag

5310/G



H 5310/GR-L



## How to Order

5310 G - CX - 1.5 N E - Au - 2.0 C

1 2 3 4 5 6 7 8

1. Series 2. Threaded Design 3. Tip Style  
 4. Spring Force 5. High Temperature 6. Tip Plating  
 7. Tip Diameter 8. Tip Material (only for CuBe)