

# Series 5110/S • 5110/G

- Compact design
- Very robust
- Low contact resistance
- Test of high currents

### Mechanical Data

Center	4.00 mm/160 mil
Temperature Range	-40 °C - +250 °C
Full Travel	3.50 mm
Working Travel	2.80 mm
Spring Force at Working Travel	see High-Temperature Applications

### Electrical Data

Max. Current Rating	24.0 A
Typical Continuity Resistance	<= 20 mOhm

### Materials

Barrel	Brass, gold-plated
Spring	Stainless Steel, gold-plated
Plunger	CuBe, gold-plated
Receptacle	Brass, gold-plated

### Recommended Diameter of Drill

HP 2361.1 (Trolitax)	2.64 mm
HGW 2372	2.65 mm

### High-Temperature Applications

Temperature Range	-30 °C - +250 °C
Pre-Loaded Spring Force	0.45/ 0.50/ 1.00 N
Spring Force at Working Travel (Order Index E)	1.50/ 2.50/ 3.50 N

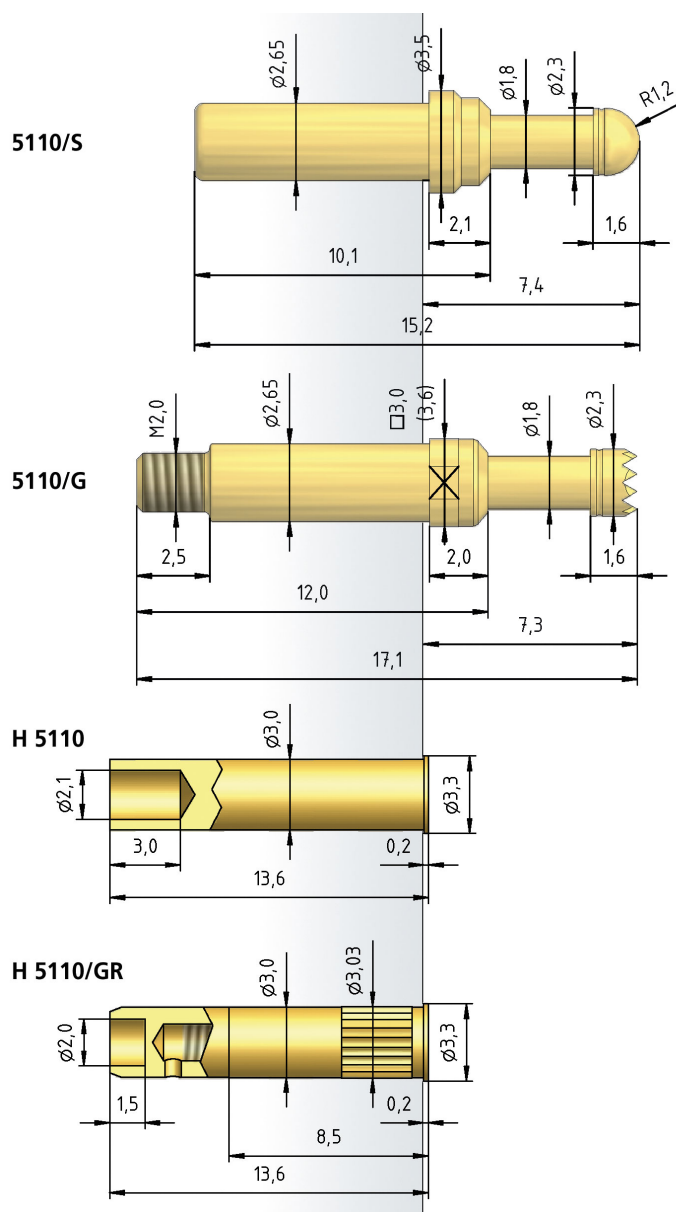
### Available Screw Tools

Article Designation	max. Tip Diameter
WFS 1060/G-4.0-3.0	3.0

### Tip style - Diameter - Plating



CX	DX
2.30C Au	2.30C Au



### How to Order

5110/ G - CX - 1.5 N E - Au - 2.3 C  
 1 2 3 4 5 6 7 8

1. Series 2. Threaded Design 3. Tip Style  
 4. Spring Force 5. High Temperature 6. Tip Plating  
 7. Tip Diameter 8. Tip Material (only for CuBe)