

Series 4005

- Contacting of individual test points
- Contacting without adapter possible
- For use in function test

Mechanical Data	
Center	3.50 mm/138 mil
Temperature Range	-30 °C - +120 °C
Full Travel	10.00 mm
Working Travel	6.00 mm
Spring Force at Working Travel	0.80 N
Operating Pressure	6 bar
Operating Medium	Compressed Air (filtered, oil-free)

Electrical Data	
Max. Current Rating	2.0 A
Typical Continuity Resistance	<= 30 mOhm

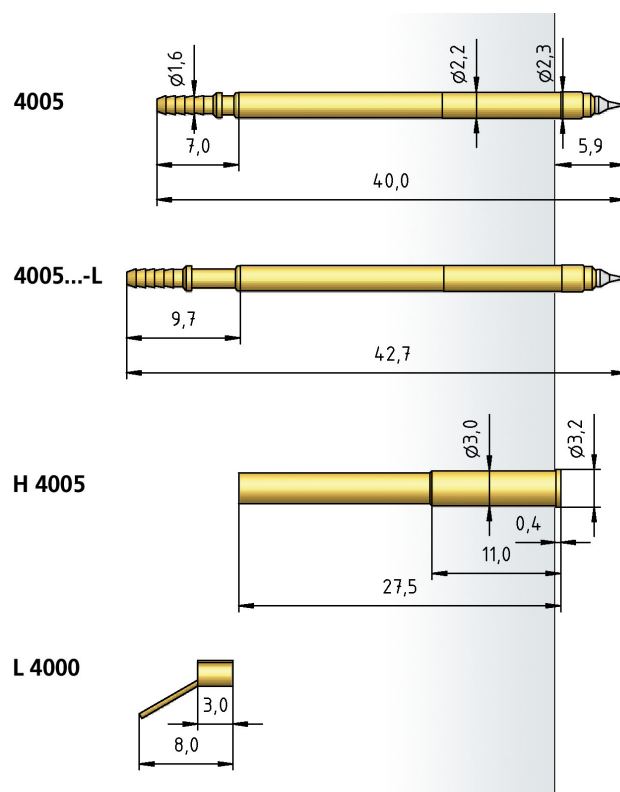
Materials	
Barrel	Brass, gold-plated
Spring	Spring Steel, gold-plated
Plunger	Steel
Receptacle	Brass, gold-plated

Recommended Diameter of Drill	
HP 2361.1 (Trolitax)	3.00 mm
HGW 2372	3.01 mm

Tip style - Diameter - Plating



BST1	C	G	H
1.50 Rh	2.50 Rh	1.30 Rh	2.00 Rh



How to Order

4005 - BST1 - 0.8 N - Rh - 2.0 - L
 1 2 3 4 5 6

1. Series 2. Tip Style 3. Spring Force
 4. Tip Plating 5. Tip Diameter 6. For Connection of L 4000