

Series 3024/2G

- Test Probe with switching function for cable harness test and presence verification
- Threaded type
- Easy-replacement system (replacement without soldering)
- Short design (24.5 mm)
- High soldering temperature up to 300°C
- FS1 insulated metal cap

Mechanical Data

Center	2.54 mm/100 mil
Temperature Range	-30 °C - +120 °C
Full Travel	5.00 mm
Working Travel	4.00 mm
Switching Travel	2.60 mm
Pre-loaded Spring Force	0.30/ 0.50/ 0.50 N
Spring Force at Working Travel	1.35/ 2.00/ 2.50 N
Spring Force at Switching Travel	1.00/ 1.50/ 1.80 N

Electrical Data

Receptacle-Plunger

Max. Current Rating	3.0 A
Typical Continuity Resistance	<= 20 mOhm
Typical Insulating Voltage	1000 V

Pin-Plunger

Max. Current Rating	1.0 A
Typical Continuity Resistance	<= 50 mOhm

Materials

Barrel	Brass, gold-plated
Spring	Spring Steel, gold-plated
Plunger	CuBe, gold-plated with Insulator
Receptacle	Brass, gold-plated

Recommended Diameter of Drill

HP 2361.1 (Trolitax)	2.15 mm
HGW 2372	2.16 mm

Available Screw Tools

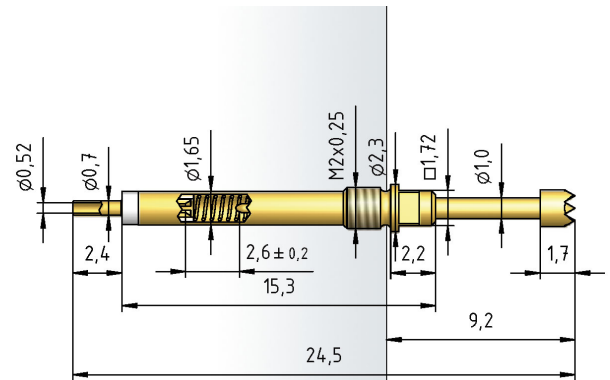
Article Designation	max. Tip Diameter
WFS 1021/G-2.54-1.8	1.8
WFS 1021/G-2.54-2.0	2.0
WFS 1021/G-3.5-3.0-Z	3.0
WFS 1021/G-C2S-3.0-2.5-Z	2.5

Tip style - Diameter - Plating

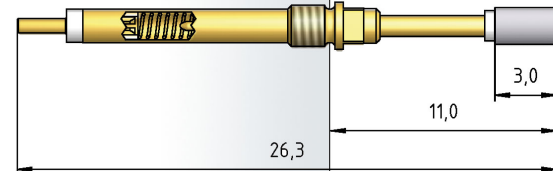


C	D	F	F1	FS1
1.80C Au	1.00C Au	1.00C Au	1.80 HTK	2.00C Ni/S

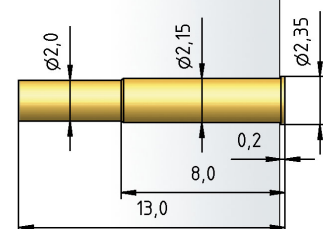
3024/2G



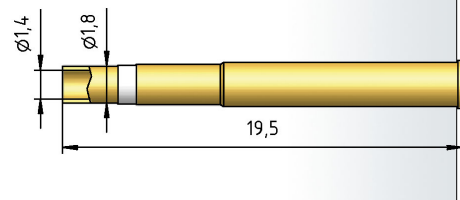
3024/2G-FS1



H 3024/G



H 3024/GW



How to Order

3024/ 2 G - C - 2.0 N - Au - 1.8 C

1 2 3 4 5 6 7 8

1. Series
2. Collar Height
3. Threaded Design
4. Tip Style
5. Spring Force
6. Tip Plating
7. Tip Diameter
8. Tip Material (only for CuBe)